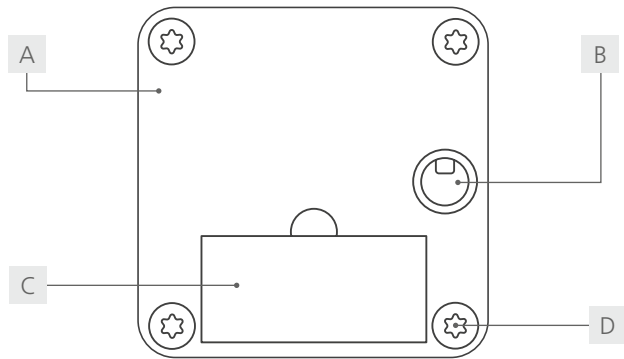




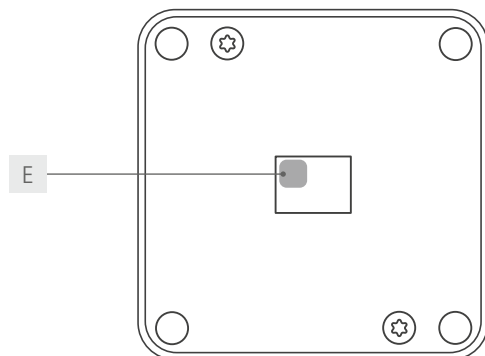
Master
Operating Manual

Master

Front



Back



- A Housing
- B Closure opening
- C Battery compartment
- D Mounting hole
- E Programming button

Scope of delivery.....	3
Optional accessories.....	3
Features.....	3
Dimensions.....	3 - 4
Functional description.....	4
Assembly instructions.....	5
Configuration.....	6
Transponder configuration via programming button.....	6
Configuration via configurator.....	6 - 8
Transponder configuration via programming card.....	8 - 9
Operation.....	9
Disposal.....	9

Introduction

Dear customers,
Thank you for choosing the Master - the versatile electronic furniture lock.

This lock was designed to meet the unique requirements of the furniture industry. It enables organisations to secure cabinets, display cases, lockers and drawers. The Master is particularly well-suited to installations in which the appearance of high-class finishes is not disrupted by the presence of a lock.

Important: Please note all warnings and read through the entire operating manual before you begin configuration.

We hope you enjoy using your new locking system.

Sincerely, BURG F.W. Lüling KG

Content

Introduction.....	2
General.....	2
Technical Data.....	3
Default settings.....	3

General

The latest version of this guide is always available at:
www.burg.de

Factsheet



Technical Data	
Dimensions	60 x 60 x 22 mm
Battery	lithium battery 3V, CR123A
Locking cycles	approx. 10.000
Working temperature	0° C to 40° C
Mode	Private Mode
Material	Casing: plastic Latch ¹ : plastic or zamak
Locking direction	L, R
Lock attachment	Screws, Adhesive pad
Door thickness	max. 25 ² - 30 ² mm
RFID variants	125 kHz (EM4200, T5577)
Programming cards	max. 1
User Cards	max. 32
Tear strength	30 N

Default Settings	
Mode	Private Mode
Locking	Automatic (after 3 seconds)
Signal sounds	On
Open door alarm	Off
Break open alarm	Off
Error alarm	Off
Transponder range	Off

¹ not included in scope of delivery

² dependig on the transponder medium, high range cards up to 35 mm
Master | 10-2021

Scope of Delivery

- Master
- Lithium battery 3V, CR123A (inserted)

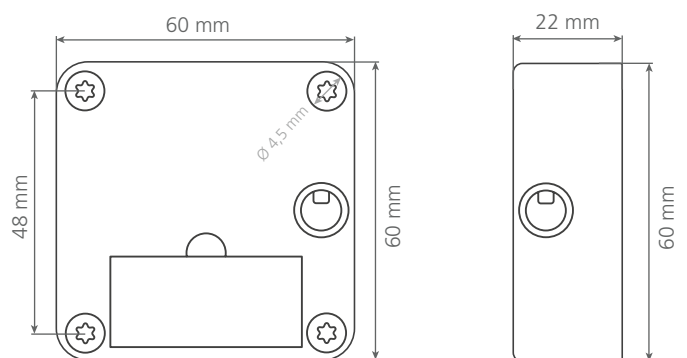
Optional Accessories

- Latch (plastic or zamak)
- Master cards/ transponder media
- Configurator (for programming)
- Power supply (3,6V DC allowing to connect up to 5 locks in a row)
- Adapter plates (for further connection options)
- External antenna
- Connection cable
- Glass mounting set

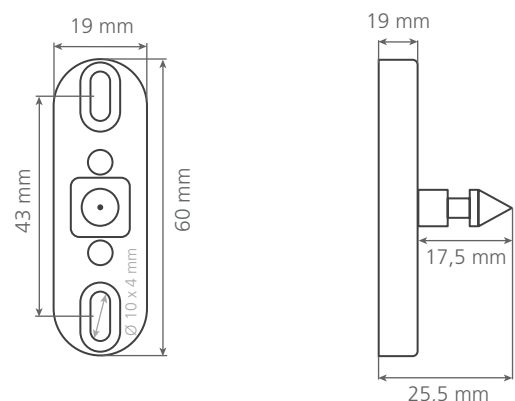
Features

- Versatile and flexible installation options
- Not visible on the door front
- Reliable RFID technology
- Up to 32 transponders per lock can be assigned
- Easy configuration and programming

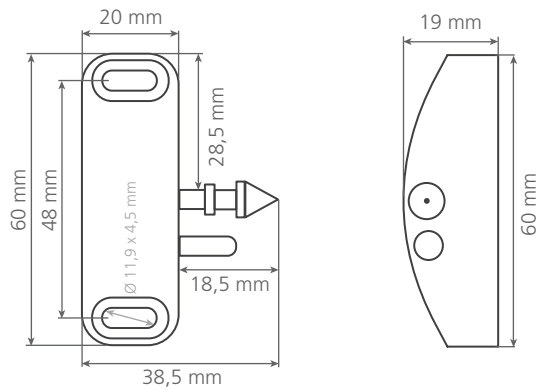
Dimensions



Locking Unit Plastic



Locking Unit Zamak



Functional Description

Mode: Fixed Assigned Authorization (Private mode)

In this mode a transponder medium is pre-set with which the lock can be operated. This mode is suitable for user groups where the user rights should not change permanently, e.g. an office cabinet. The user holds an already assigned transponder medium centrally in front of the lock. The lock opens. The lock can be opened and closed with any assigned transponder medium. Non-assigned transponder media are rejected by the lock.

Automatic Locking

After opening, the lock closes automatically after 3 seconds. Only available in private mode. The door does not have to be closed. The latch function allows the door to be closed by lightly pressing the latch, even when the lock is locked. This function can be switched on or off.

Double Automatic Locking Time

The automatic locking time stored in the lock is doubled (e.g. from 3 seconds to 6 seconds).

Note: Changes already made to the locking time are taken into account.

Quadruple Automatic Locking Time

The automatic locking time stored in the lock is quadrupled (e.g. from 3 seconds to 12 seconds).

Note: Changes already made to the locking time are taken into account.

Manual Locking

To close the lock, the user must hold an authorized transponder centrally in front of the lock.

Automatic and Manual Locking

If this function is activated, the user can lock the lock manually. To activate the manual locking, the user holds the transponder in front of the lock for 3 seconds during the opening process. If the transponder is not held in front of the lock for 3 seconds, the automatic locking is activated.

Signal Sounds

During the opening or closing process as well as when unauthorized transponders are held in front of the lock, signal sounds are emitted. Two confirmation tones sound when the opening or closing process is successful, and three loud signal tones sound when an unauthorized transponder is presented.

Door Open Alarm

If this function is activated, a warning signal sounds if the lock is open for more than 20 seconds.

Note: If the alarm has already been set before installation, the lock and locking part should only be brought together after installation has been completed.

Break Open Alarm

If this function is activated, a warning signal sounds as soon as the lock detects a continuous vibration.

Fault Alarm

If there are elements in the immediate environment of the lock that disturb radio contact (e.g. another lock), signal tones are emitted at regular intervals. After 30 seconds, a warning melody sounds.

Note: Remove any disturbing elements in the environment of the lock, otherwise the battery life can be shortened.

Increase Transponder Range

This function allows the radio range for lock transponder communication to be increased. Thus the lock reacts to the transponder already with further distance. In order to use this function, the lock environment must be free of disturbing elements.

Note: The minimum distance between the individual locks also increases. If the minimum distance is not maintained, this can shorten the battery life.

Assembly Instructions

- 1 Prepare the installation carefully. Determine the correct position of the lock (inside of door) and locking part (inside of cabinet) and mark them. Refer to the dimensioned product drawings (pages 3 to 4). Depending on the material and type of screws, it may be necessary to pre-drill the mounting holes for the lock and the locking part on your furniture.

Note: If several locks are to be installed next to each other, it is necessary to maintain minimum distances of at least 5 cm horizontally and 15 cm vertically. To avoid damage to the lock, make sure that there are no metallic objects within a radius of 20 cm!

- 2 Position the lock according to your markings. When selecting the screws, note the required screw length. This depends on the door thickness in which the lock is installed. It is recommended to position the first two screws diagonally and then tighten them. The screws may be tightened with max. 1.5 N.

- 3 Then tighten the last two screws with max. 1.5 N.

- 4 Position the locking unit according to your markings. When selecting the screws, note the required screw length. This depends on the door thickness in which the lock is installed. The screws may be tightened with max. 1.5 N.

BURG offers two locking units:

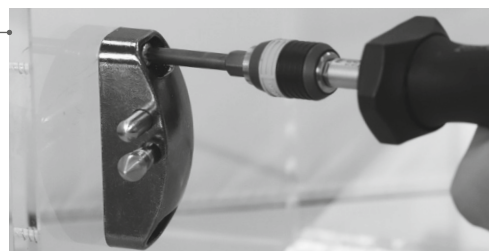
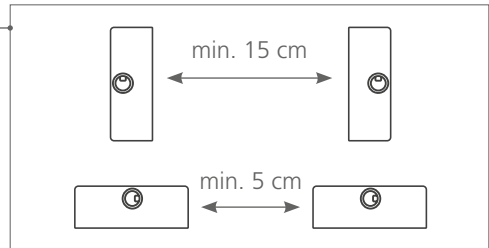
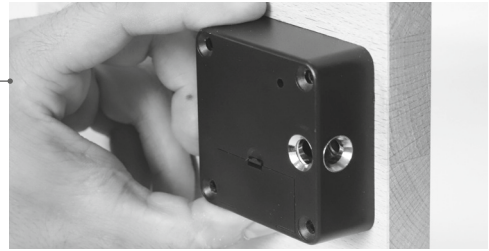
Zamak locking unit

This locking part is suitable for installation in cabinets with doors, where the locking bolt must be at a 90 degree angle to the lock.

Zamak locking unit

This locking part is suitable for installation in drawers where the locking bolt must be at a 180 degree angle to the lock.

Note: The locking part is not included as standard and must be ordered separately. The webshop article contains the locking parts listed in the product description.



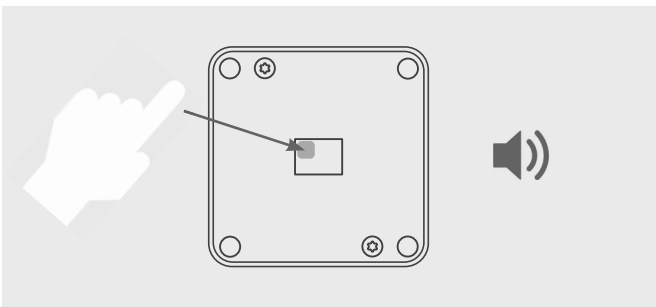
Configuration

Transponders can be assigned and deleted via the programming button or by means of the configurator or a programming card. The default settings remain unchanged. If you want to make changes to the function settings, you need the configurator.

1 Transponder Configuration via Programming Button

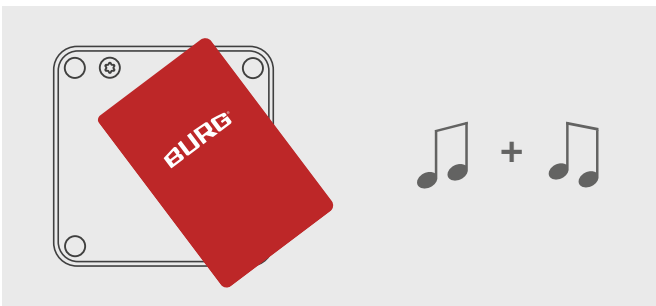
a) Assign Transponder

1. Note that the lock must not be mounted. Press the button on the back of the lock using a non-metallic object until you hear a beep. The lock will start ticking.



2. Hold the transponder to be assigned in front of the lock until two ascending beeps confirm successful assignment. Two descending beeps end the process.

Note: Several transponders can be assigned one after the other. The tick noise is extended by four seconds after each process.



b) Delete Transponder

To delete a transponder, proceed in the same way as for assignment. Press the programming button and hold the transponder to be deleted in front of the lock as described in point 1a.

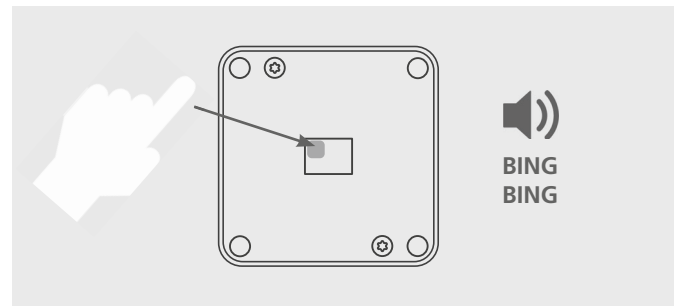
2 Configuration via Configurator

With the configurator (remote control) transponders can be assigned and function settings can be made. **In order to use the configurator, you need a remote control card, which must be assigned once.** Proceed as described below for configuration.

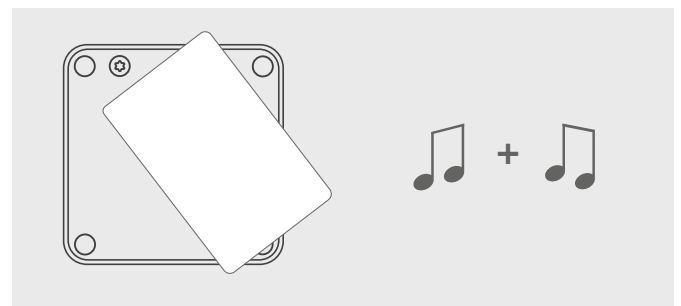
a) Assign Remote Control Card (one-time)

Use the remote control card to put the lock in remote control mode. Only then is the configurator (remote control) recognized.

1. Note that the lock must not be mounted. Press the button on the back of the lock using a non-metallic object. Keep the button pressed until you hear two beeps. Release the button. The lock starts ticking („double ticking“).



2. Hold the function card in front of the lock until two ascending beeps confirm successful assignment. Two descending beeps end the process.



b) Assign Transponder

The configurator is used to access a specific memory location for assigning a transponder. There are 32 memory locations in total. This enables uncomplicated management of the transponders. You can use the following number combinations to access the respective memory locations:

Storage number:	Code:	Storage number:	Code:
01	5311	17	5411
02	5312	18	5412
03	5313	19	5413
04	5314	20	5414
05	5321	21	5421
06	5322	22	5422
07	5323	23	5423
08	5324	24	5424
09	5331	25	5431
10	5332	26	5432
11	5333	27	5433
12	5334	28	5434
13	5341	29	5441
14	5342	30	5442
15	5343	31	5443
16	5344	32	5444

Only one transponder can be assigned at the same time, because here a storage number is targeted. The successful process is completed automatically after 5 seconds or after pressing the „OK“ button. Afterwards you can assign a new transponder.

Note: If you do not enter the sequence of numbers correctly, a warning signal will sound during the transfer to the lock.

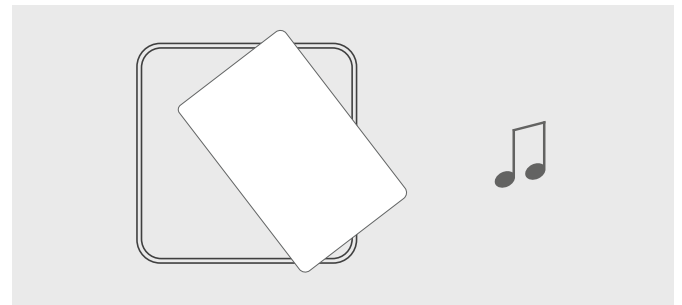
Enter the number sequence for the desired storage number in the configurator.

Note: The input is stored for about 4 minutes.



2. Put the lock in remote control mode by holding the remote control card in front of the lock. Ascending beeps confirm the successful operation.

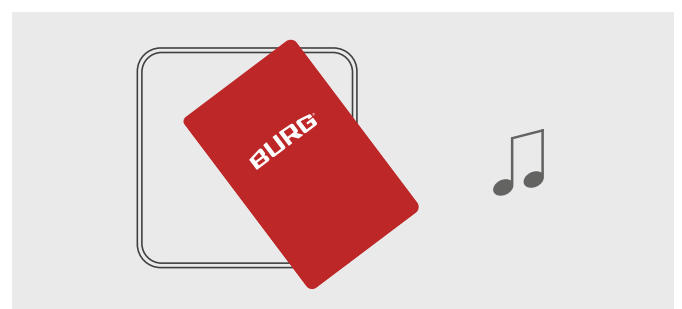
Note: Carry out this and the following steps in quick succession, otherwise the lock will end the process (signalled by descending beeps).



Hold the configurator in the direction of the lock and press „OK“. The lock starts ticking.



4. Hold the transponder to be assigned in front of the lock during the ticking sound. Two ascending beeps confirm the successful assignment.



c) Delete Transponder

To delete a transponder, proceed in the same way as for assignment. Follow the steps from point 2b. After confirming with the „OK“ button wait until the lock starts ticking. The storage space is then released again. The transponder card does not have to be held in front of the lock.

d) Set Functions

With the following number combinations you can set the respective functions:

Function	ON	OFF
Signaltones on opening/ unauthorized transponders	5111	5211
Automatic Locking ¹	5212	5112
Double automatic locking time ²	5113	5213
Quadruple automatic locking time ²	5114	5214
One-time manual locking	5142	5242
Door open alarm	5122	5222
Fault alarm	5144	5244

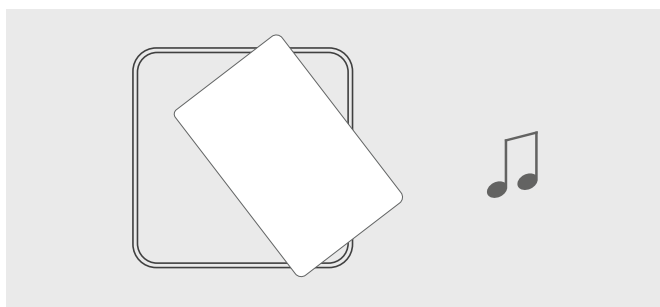
Enter the number sequence for the desired function in the configurator.

Note: The input is stored for about 4 minutes.

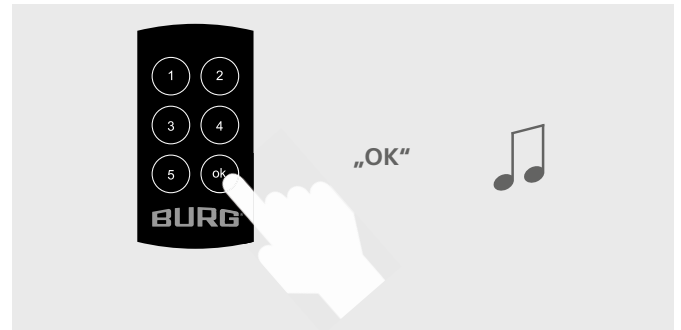


2. Put the lock in remote control mode by holding the remote control card in front of the lock. Ascending beeps confirm the successful operation.

Note: Carry out this and the following steps in quick succession, otherwise the lock will end the process (signalled by descending beeps).



3. Hold the configurator in the direction of the lock and press „OK“. Two ascending beeps confirm the successful process.

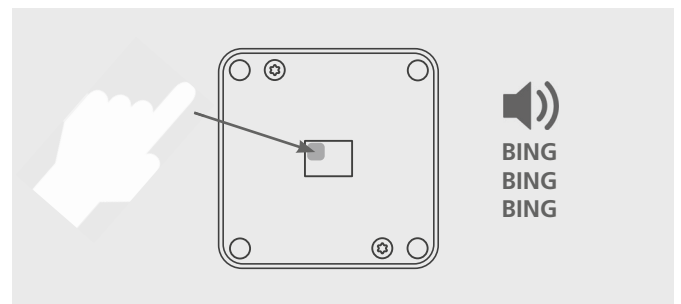


3 Transponder Configuration via Programming Card

With the programming card you have the possibility to assign or delete transponders without pressing the programming button. The programming card must be assigned once.

a) Assign Programming Card (one-time)

1. Note that the lock must not be mounted. Press the button on the back of the lock using a non-metallic object. Keep the button pressed until you hear three „BING“ sounds. Release the button.



2. Hold the programming key in front of the lock until two ascending beeps confirm successful assignment. Two descending beeps end the process.

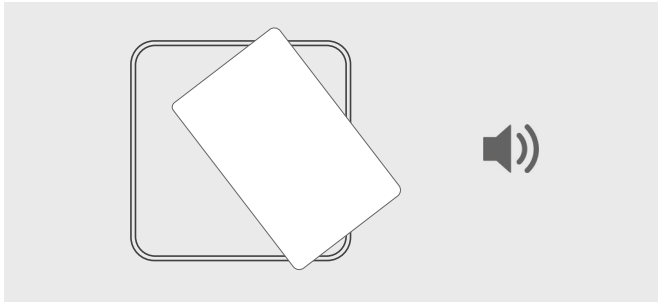


¹This function can only be switched off if the functions „One-time manual locking“ and „Double/ quadruple automatic locking time“ are not activated.

²Only functions when automatic locking is activated.

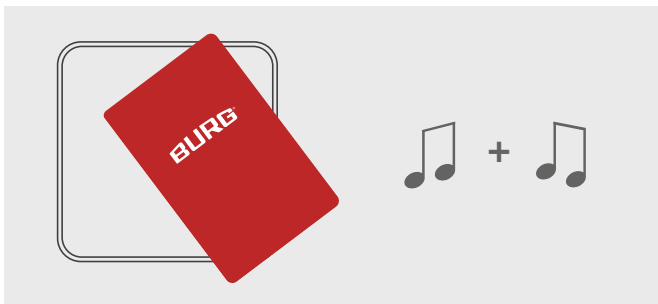
b) Assign Transponder

1. Hold the programming card in front of the lock until you hear a ticking sound.



2. Hold the transponder to be assigned in front of the lock and wait for the two ascending beeps for confirmation. Two descending beeps signal the end of the process.

Note: Carry out this and the following steps in quick succession, otherwise the lock will terminate the process (signalled by two descending tones).



Operation

1 Unlock

Hold an authorized transponder in front of the lock.

2 Lock

When automatic locking is activated, the lock locks after the set locking time has expired. For manual locking, hold an authorized transponder in front of the lock.

Disposal

EU Directive 2012/19/EU regulates the proper take-back, treatment and recycling of used electronic equipment. Every consumer is required by law to dispose of batteries, accumulators or electrical and electronic equipment („waste equipment“) powered by batteries or accumulators separately from household waste, as they contain harmful substances and valuable resources. Disposal can be done at a collection or take-back point approved for this purpose, e.g. a local recycling center. Waste equipment, batteries or rechargeable batteries are accepted there free of charge and recycled in an environmentally friendly and resource-saving manner. Waste equipment, used batteries or rechargeable batteries can also be returned to us. The return must be sufficiently stamped to the address below.

BURG F.W. Lüling KG
Volmarsteiner Str. 52
58089 Hagen

The following symbol on the waste electrical equipment, batteries or accumulators indicates that they must not be disposed of with household waste:



Caution when using batteries!

The battery may explode or release flammable gases if it is mishandled, destroyed, or the wrong type of battery is used. Do not recharge the battery, disassemble it, expose it to extremely high temperatures or throw it into a fire.

On batteries containing harmful substances, you will find indications in the form of abbreviations for the ingredients cadmium (Cd), mercury (Hg) and lead (Pb) in each case.

BURG F. W. Lüling KG

Volmarsteiner Str. 52
58089 Hagen (Germany)
Fon +49(0)23 35/63 08-0
info@burg.de
www.burg.de