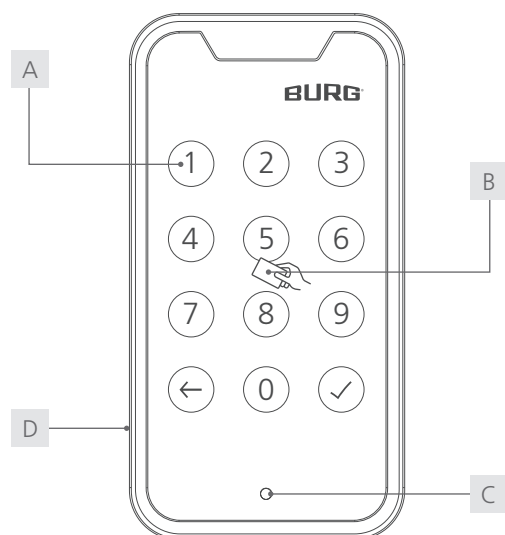




TwinPad  
Operating Manual

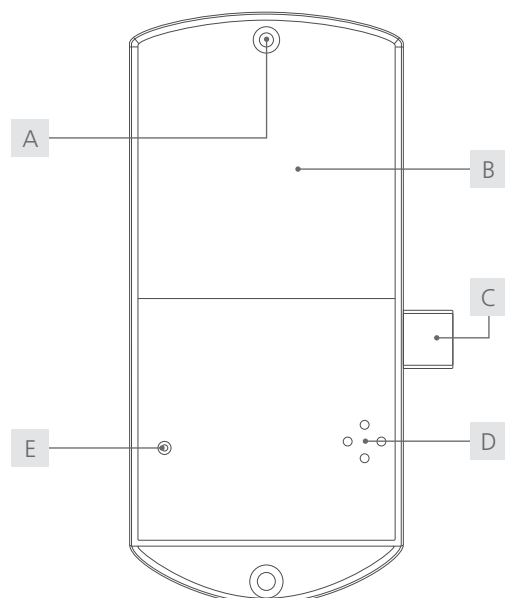
## TwinPad

### Touchpad



- A Touchpad buttons
- B RFID antenna
- C Status LED
- D Mini-USB port

### Back unit



- A Battery cover screw
- B Battery cover
- C Locking bolt
- D Beeper
- E Resethole

## Content

Introduction.....	2
General.....	2
Technical data.....	3
Default settings.....	3
Scope of delivery.....	3
Features.....	3
Product dimensions.....	3 - 4
Functional description.....	4
Assembly instructions.....	5
Configuration.....	6 - 7
Operation.....	7
Emergency Power Supply.....	8
Battery replacement.....	8
Disposal and battery note.....	8

## Introduction

The **TwinPad** electronic furniture lock offers you the option of using the lock with code entry as well as with an RFID transponder solution (card, chip, wristband).

Due to the versatile application possibilities, the locking system is used in hotels, fitness studios, educational institutions, offices and workshops, among others. Thanks to the flexible installation options, the lock can be installed in both wooden and metal cabinets.

**Important: Please observe all warnings and read through the entire operating instructions before you begin with the configuration.**

## General

The latest version of this guide is available at:  
[www.burg.de](http://www.burg.de)

<sup>1</sup> We recommend that you cover the reset hole with a black circular sticker to make any manipulations visible.

# Factsheet

## Touchpad



## Back unit



Technical Data	
Dimensions	Touchpad: 107 x 56 x 13 mm Back unit: 140 x 65 x 25 mm
Batteries	VARTA <sup>1</sup> AA (4x)
Locking cycles	approx. 10,000
Working temperature	-25°C to +55°C
Working humidity	10% to 85% RH
Storage temperature	-40°C to +55°C
Static current	<30uA
Dynamic current	<120mA
Material	Touchpad: plastic Touchpad frame: metal Back unit housing: plastic
Locking direction	Right, Left
Mode	Private Mode (default), Multi User Mode
RFID type	MIFARE® Classic, MIFARE® Desfire Evo II
Card inductive distance	5 to 10 mm
Master Cards	max. 3
User Cards	max. 27
No. of codes (private mode)	max. 1
Code/ Master Code length	4 to 8 digits

Default Settings	
Mode	Private Mode
Code	1234
Master Code	934716
Signal tones	LOUD

## Scope of Delivery

- 1x locking system (touchpad + back unit)
- 1x spring-loaded strike plate
- 1x RFID card (MIFARE® Classic)
- 1x reset pin (configuration pin)
- 2x screws (M4 x 29,5 mm)
- 3x wood screws (3,4 mm x 20 mm)
- 1x screw for battery compartment cover (3 mm x 8 mm)

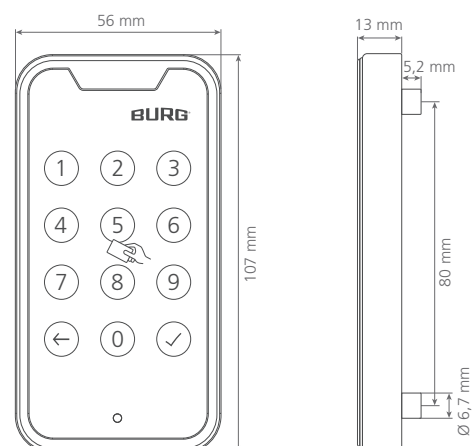
## Optional Accessories

- function cards „Volume“ (LOUD / SILENT / OFF)
- micro USB cable for emergency power supply

## Features

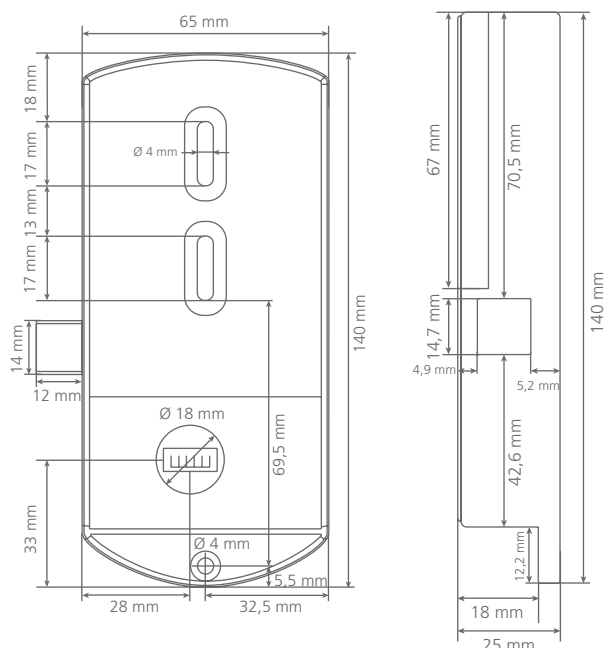
- dual mode: code and RFID access
- can be used in wooden and metal doors (indoors)
- latch system - door locks when pushed
- slim front unit with metal frame
- adjustable volume of signal tones
- emergency power supply with USB port (Micro-USB)

## Product Dimensions

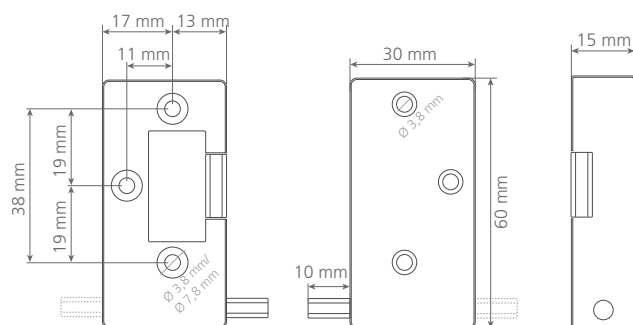


<sup>1</sup> The lock is approved for VARTA brand batteries. The use of other batteries may result in a reduced number of possible locking cycles.  
TwinPad | 09-2022

## Back unit



## Arretiereinheit



## Functional Description

### Mode: Fixed Assigned Authorization (Private Mode)

In this mode, a user code or a transponder medium is pre-set with which the lock can be operated. This mode is suitable for user groups where user rights do not have to change permanently, e.g. in an office cabinet.

User code: To lock the lock, the user enters a previously stored user code and confirms the entry with the hook key. The lock is unlocked by entering a stored user code. The locking bolt locks automatically after 5 seconds. A code that has not been stored is rejected by the lock.

Transponder: To unlock the lock, the user holds a stored transponder medium centrally in front of the lock. The locking bolt locks automatically after 5 seconds. Non-stored transponder media are rejected by the lock.

### Mode: Multi User Authorization (Multi User Mode)

This mode is suitable for constantly changing users who only use the compartment temporarily or once, e.g. in a sports facility. Codes or transponder media are valid for a single locking process and are deleted by the lock when the compartment is reopened so that a new code or transponder medium can be used. The locking bolt remains open until a new code or transponder medium locks the lock again.

User code: Before locking, the door must be closed (slightly pressed). The user enters a user code of choice (4 to 8 digits) to lock and confirms the entry with the hook key. The green LED starts flashing. The lock is opened by entering the same code.

Transponder: Before locking, the door must be closed (slightly pressed). To lock the lock, the user holds the transponder medium centrally in front of the lock. The green LED starts flashing. The lock can then be only opened with the same transponder medium.

### Master Code

The Master Code can unlock the lock independently of the set mode (emergency opening). In Multi User Mode, the user code used for locking is deleted after the Master Code is entered. In Private Mode, the user code is reset to the default setting (1234).

*Note: We recommend programming a private Master Code before putting the lock into operation.*

### Master Card

The Master Card can open the lock independently of the set mode (emergency opening). In Multi User Mode, the transponder medium used for locking is deleted from the lock.

### Automatic locking (Private Mode)

The lock locks automatically after five seconds after unlocking. The door does not have to be closed for this. The latch function allows the door to be closed by pressing slightly even with the lock locked.

### LED locking indication

If the lock is locked, the green LED flashes briefly at regular intervals.

### Block mode

After four consecutive failed opening attempts, the lock locks for 60 seconds. During this period, no action is possible on the lock. The lock can be opened with an RFID transponder. For use with codes, the block mode remains active until the end of the 60 seconds.

### Signal tones

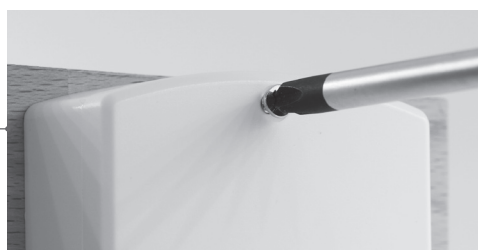
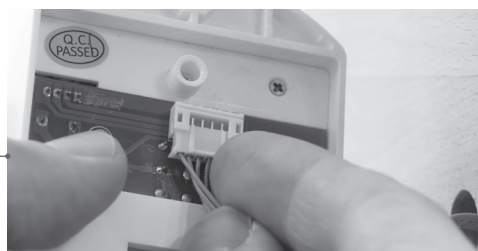
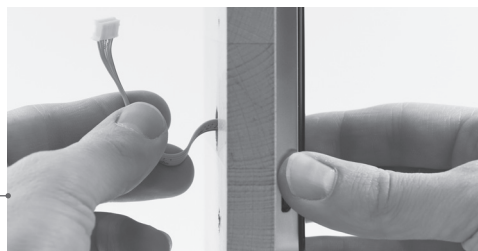
Signal tones sound during the opening and closing process as well as during configuration steps. The volume of these signal tones can be set with the LOUD, SILENT or OFF function cards.

### Battery Warning

If the battery voltage falls below a certain level, a short signal tone sounds during operation. If the voltage falls into the critical range, three beeps sound and the lock can no longer be operated.

## Assembly Instructions

- 1 Drill all holes required for installation according to the dimensioned product drawing.
- 2 Carefully place the front unit on the front of the cabinet and carefully pass the connecting cable through the appropriate hole (optimal diameter 18mm).
- 3 If batteries are already installed, open the battery compartment and remove the 4 AA batteries from the back unit.
- 4 Take the back unit and connect the connecting cable: Carefully slide the cable into the socket on the back of the back unit. Make sure that the two small guide rails are visible.
- 5 Make sure that the ribbon cable is not pinched during installation. This can cause permanent damage to the cable, which prevents error-free operation. An incorrect installation will void the manufacturer's warranty.
- 6 *Important note: The M4x29.5 screws included in the scope of delivery have been developed for the use of doors and drawers with a material thickness of minimum 17 mm and maximum 30 mm . Mounting on fronts that are thinner requires shorter M4-screws (formula: material thickness + 13mm). If you then use the existing screws, the touchpad can be permanently damaged.*  
  
Insert the 2 threaded screws (M4x29.5) through the corresponding holes and screw the back unit to the touchpad. For mounting on fronts thinner than 2.8mm, e.g. steel doors, the use of a wooden / HPL adapter plate or corresponding washers might be useful to compensate for the distance between touchpad and back unit. These washers (not included) should have an inside diameter of at least 6.8mm. After the touchpad has been plugged in, the washers are plugged from the inside onto the two lugs (with the M4 internal thread) before the back unit is screwed on. Failure to follow this instruction will void the manufacturer's warranty.
- 7 Place the spring-loaded strike plate on the inside of the cabinet and fix it with the 3 wood screws (3.4x20).
- 8 Insert the four AA batteries and close the battery case. Fix the housing cover with the appropriate screw (3x8).
- 9 At the beginning, make sure the battery cover is closed. Never close the cabinet door with the battery cover on the lock open. Closing the cabinet door may cause batteries to come loose. Test whether the door can be closed without problems and whether the lock closes smoothly. If not, please adjust the lock and striking plate so that the lock can close without pressure or friction. Start setting up the locking system according to the instructions (programming code and RFID).



## Configuration

### Default Settings

User code	1234
Master Code	934 716

### 1 Set the Mode

#### a) Private Mode (default)

1. Open the battery compartment and remove one battery.
2. Slightly press the reset pin into the reset hole and keep it pressed. Reinsert the battery.
3. When you hear a beep and the locking bolt moves out, release the pin.

#### b) Multi User Mode

1. Open the battery compartment and remove one battery.
2. Slightly press the reset pin into the reset hole and keep it pressed. Reinsert the battery.
3. When you hear two beeps and the locking bolt moves in, release the pin.

*Note: After switching the mode, the lock is in the default settings of the mode to which it was changed.*

### 2 Set Master Code and User Code

#### a) Master Code (Private Mode / Multi User Mode)

Enter current Master Code: Master Code + „←“

Confirmation by a longer beep and flashing of the LED.

Enter new Master Code: xxxx (xxxx)<sup>1</sup> + „✓“

Confirmation by a longer beep.

*Note: You can only store one Master Code. When a new Master Code is stored, the active Master Code will be overwritten.*

#### b) Set User Code (Private Mode)

Enter current user code: User code + „←“

Confirmation by a longer beep and flashing of the LED.

Enter new user code: xxxx (xxxx)<sup>1</sup> + „✓“

Confirmation by a longer beep.

*Note: You can only store one user code. When a new user code is stored, the active user code will be overwritten.*

### c) Reset Code

Enter Master Code: xxxx (xxxx)

By entering the Master Code, the lock opens. In Multi User Mode, the active code is deleted. In Private Mode, the code is reset to the default setting (1234).

### 3 Master Card and User Card

#### a) Assign Master Card

Enter Master Code: Master Code + „←“

Confirmation by a longer beep and flashing of the LED.

1. Hold Master Card centrally in front of the lock. A long beep confirms the successful addition.
2. Continue if you want to add more Master Cards (up to 3).
3. If finished wait until the LED stops flashing.

#### b) Assign User Card (Private Mode)

1. Hold Master Card centrally in front of the lock. Wait for the beep and the LED to light up.
2. Hold Master Card centrally in front of the lock again, until the LED starts flashing.
3. Hold the user card centrally in front of the lock. A beep confirms the successful addition.
4. Continue if you want to add more user cards (up to 27).
5. If finished wait until the LED stops flashing.

#### c) Delete User Card (Private Mode)

1. Hold Master Card centrally in front of the lock. Wait for the beep and the LED to light up.
2. Hold Master Card centrally in front of the lock again, until the LED starts flashing.
3. Hold the Master Card a third time in front of the lock and the LED will flash quickly.
4. Hold the user card you want to delete in front of the lock. A long beep confirms the successful deletion.
5. Continue if you want to delete more user cards.
6. If finished wait until the LED stops flashing.

*Note: To test if the user card was successfully deleted, hold the user card centrally in front of the lock. Three short beeps indicate that the card is not added.*

<sup>1</sup> 4 to 8 digits

**4 Set Volume**

1. Hold the function card (LOUD, SILENT or OFF) centrally in front of the lock.
2. A long beep and the flashing of the green LED confirm the successful process.

**5 Reset the lock to default settings**

1. Slightly press the reset pin into the resethole.
2. A long beep confirms the the successful process.

*Note: The lock remains in the set mode. All settings will be reset to the default settings of the active mode. All user cards and Master Cards will be deleted. The code and Master code will be changed to default setting.*

**Operation in Private Mode****a) Unlock via User Code**

Enter user code:                      User code + „✓“

Confirmation by a longer beep. Unlocking occurs automatically when the green LED lights up.

*Note: The lock signals a wrong code entry with 3 beeps.*

**b) Unlock via Master Code (emergency opening)**

Enter Master Code:                      Master Code + „✓“

Confirmation by a longer beep. Unlocking occurs automatically when the green LED lights up. Unlocking by Master Code resets the active code to the default setting (1234).

*Note: The lock signals a wrong Master Code entry with 3 beeps.*

**c) Unlock via User Card/ Master Card**

Hold authorised user card or Master Card centered in front of the lock. Confirmation by a longer beep. Unlocking occurs automatically when the green LED lights up.

*Note: If you use an unauthorized user card or Master Card the lock signals this with 3 beeps.*

**d) Lock**

The lock automatically locks after 5 seconds.

**Operation in Multi User Mode****a) Lock and Unlock via User Code**

Lock:                                      User code + „✓“  
 Unlock:                                      User code + „✓“

Both processes are confirmed by a longer beep. Unlocking occurs automatically when the green LED lights up.

*Note: The lock signals a wrong user code entry with 3 beeps.*

**b) Unlock via Master Code (emergency opening)**

Enter Master Code:                      Master Code + „✓“

Confirmation by a longer beep. Unlocking occurs automatically when the green LED lights up. Unlocking by Master Code deletes the active code.

*Note: The lock signals a wrong Master Code entry with 3 beeps.*

**c) Lock and Unlock via User Card**

Lock:                                      Hold user card in front of the lock  
 Unlock:                                      Hold user card in front of the lock again

Both processes are confirmed by a longer beep. Unlocking occurs automatically when the green LED lights up.

*Note: If you use an unauthorized user card the lock signals this with 3 beeps.*

**d) Unlock via Master Card (emergency opening)**

Hold authorised Master Card centrally in front of the lock. Confirmation by a longer beep. Unlocking occurs automatically when the LED lights up. Unlocking by Master Card deletes the active user card.

*Note: If you use an unauthorized Master Card the lock signals this with 3 beeps.*

## Emergency Power Supply

If the batteries do not have enough voltage, an external power supply can be connected via the micro USB port.

For this, the touchpad has to be connected to a power supply, notebook or power bank via micro USB cable. The lock can then be operated again.

*Note: We recommend to replace the batteries immediately.*

## Battery Replacement

If the lock indicates a low battery level, the battery should be changed immediately.

*Note: The lock is approved for VARTA brand batteries. The use of other batteries may result in a reduced number of possible locking cycles.*

1. Loosen the screw of the battery compartment cover and remove the cover.
2. Remove empty batteries and insert new batteries according to the symbols (+ / -).
3. Close the battery compartment with the cover and fix it with the screw.

## Disposal and Battery Note

EU Directive 2012/19/EU regulates the proper take-back, treatment and recycling of used electronic equipment.

Every consumer is required by law to dispose of batteries, accumulators or electrical and electronic equipment („waste equipment“) powered by batteries or accumulators separately from household waste, as they contain harmful substances and valuable resources. Disposal can be done at a collection or take-back point approved for this purpose, e.g. a local recycling center. Waste equipment, batteries or rechargeable batteries are accepted there free of charge and recycled in an environmentally friendly and resource-saving manner.

Waste equipment, used batteries or rechargeable batteries can also be returned to us. The return must be sufficiently stamped to the address below.

The following symbol on the waste electrical equipment, batteries or accumulators indicates that they must not be disposed of with household waste:



### Caution when using batteries!

The battery may explode or release flammable gases if it is mishandled, destroyed, or the wrong type of battery is used. Do not recharge the battery, disassemble it, expose it to extremely high temperatures or throw it into a fire.

On batteries containing harmful substances, you will find indications in the form of abbreviations for the ingredients cadmium (Cd), mercury (Hg) and lead (Pb) in each case.

### BURG F. W. Lüling KG

Volmarsteiner Str. 52  
58089 Hagen (Germany)  
+49(0)23 35 63 08-0

info@burg.de  
www.burg.de