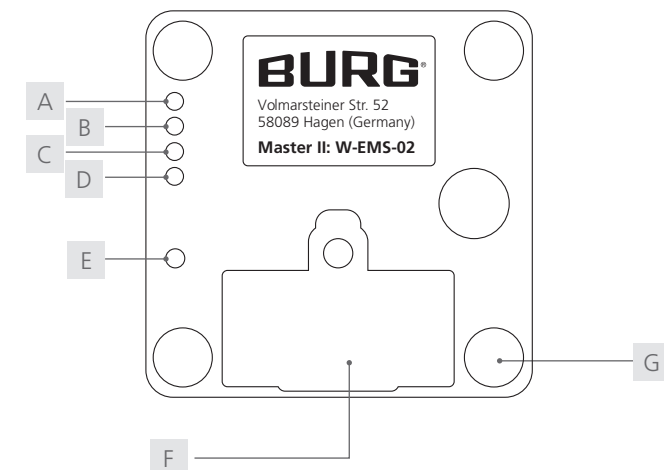




Master Pro Operating Manual

Master Pro

Front view



- A button 4
- B button 3
- C button 2
- D button 1
- E LED
- F battery compartment
- G hole for fixing screws

Introduction

The **Master Pro** is the invisible electronic furniture lock that can be used wirelessly in drawers, compartments, cupboards, single-leaf hinged doors, sliding doors and wooden roller blinds and many other non-metallic materials.

The locking system is particularly suitable for installation situations where the appearance of surfaces should not be disturbed by a lock. The lock is simple and easy to install - without milling or drilling through the front.

Importante notes:

- Observe all instructions and read through the entire manual before you start the configuration.
- The lock is not suitable for installation in steel furniture.
- Before you start configuration and assembly, check the battery capacity (p. 4, „Battery warning“).
- Note that the reset button is located on the rear side of the lock and can only be operated when the lock is disassembled.

Content

Introduction.....	2
General.....	2
Technical data.....	3
Default settings.....	3
Scope of delivery.....	3
Features.....	3
Product dimensions.....	3 - 4
Functional description.....	4
Assembly instructions.....	5
Configuration.....	6
Operation.....	6
Battery replacement.....	7
Disposal and battery note.....	7

General

The latest version of this guide is available at:
www.burg.de

Factsheet



Technical Data	
Dimension	61 x 61 x 22 mm
Battery	VARTA ¹ CR123A (1x)
Locking cycles	Approx. 30,000
Working temperature	-20° C to 65° C
Mode	Multi User Mode, Private Mode (automatic locking), Private Mode (manual locking)
Material	Housing: plastic Locking bolt: acrylic and steel
Locking direction	L, R
Lock attachment	Screws, Adhesive pad
Door thickness	max. 25 - 30 mm
RFID type	MIFARE® Classic (13,56 MHz)
Manager Cards	max. 3
Master Cards	max. 3
User Cards	max. 30
Delete Cards	max. 7
Break-off point	30 N

Default Settings	
Mode	Multi User Mode
Signal tones	On

Scope of Delivery

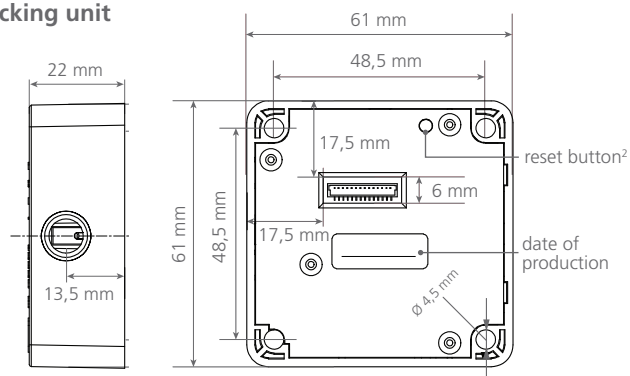
- 1x locking system
- 1x battery compartment cover (incl. screw)
- 1x transponder card (MIFARE® Classic, 13,65 MHz)
- 1x strike plate
- 4x fixing screws (locking system)
- 2x fixing screws (strike plate)

Features

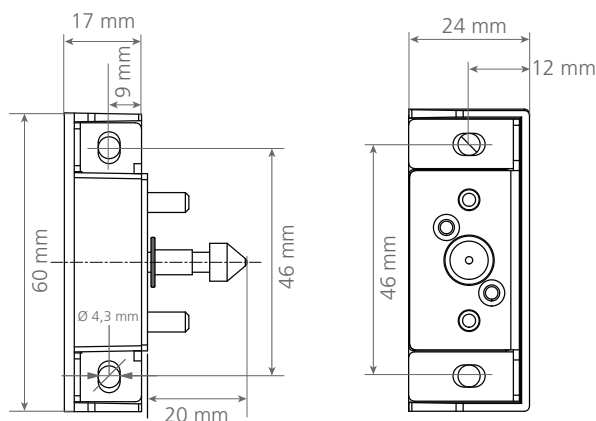
- versatile and flexible installation options
- not visible on the door front
- proven RFID technology (MIFARE® Classic, 13,65 MHz)
- up to 30 transponders can be assigned per lock
- simple configuration and programming
- operates reliably at temperatures from 0°C to 40°C
- handy size (61 x 61 x 22 mm) and simple mounting

Product Dimensions

Locking unit



Back unit



¹ The lock is approved for VARTA brand batteries. The use of other batteries may result in a reduced number of possible locking cycles.
Master Pro | 10-2022

² Pressing the reset button resets the lock to the factory settings.
All assigned cards and transponders are deleted.

Functional Description

Mode 1: Multi User Authorization (Multi User Mode)

This mode is suitable for constantly changing users who use the locker only temporarily or once, e.g. in a sports facility. Transponders are valid for a single locking operation and are deleted by the lock when the compartment is opened again so that a new transponder can be used. The bolt remains open until a new transponder locks the lock again. Before locking, the door must be closed (lightly pressed). The user holds the transponder medium centrally in front of the lock. The lock locks. The LED starts to flash. The lock can then only be opened with the same transponder medium.

Mode 2: Fixed Assigned Authorization (Private Mode) with Automatic Locking

In this mode, a transponder medium is preset with which the lock can be operated. This mode is suitable for user groups where the user rights are not to change permanently, e.g. in an office cabinet. The lock can be opened and closed with any stored transponder medium. Transponder media that are not stored are rejected by the lock. The user holds the transponder medium centrally in front of the lock to open the lock. The lock locks automatically after 5 seconds. The door must be pushed shut within 30 seconds after the opening process.

Note: If the door is not closed during this time, an alarm sounds for 10 seconds.

Mode 3: Fixed Assigned Authorization (Private Mode) with Manual Locking

In this mode, a transponder medium is preset with which the lock can be operated. This mode is suitable for user groups where the user rights are not to change permanently, e.g. in an office cabinet. The lock can be opened and closed with any stored transponder medium. Transponder media that are not stored are rejected by the lock. The user holds the transponder medium centrally in front of the lock to open the lock. The lock must be closed again manually. To close it, the user must again hold the transponder medium centrally in front of the lock.

Master Card

The Master Card opens the lock independently of the set mode (emergency opening) and terminate the block mode. The lock remains in the open state after opening. In Multi User Mode, the transponder used for locking is deleted from the lock.

Manager Card

In the private modes (modes 2 and 3), the Manager Card can be used to assign transponder media. In Multi User Mode (mode 1)*, the Manager Card can open the lock temporarily (for example, during maintenance or content check) without deleting the used transponder from the lock. Previously assigned transponders can still open the lock.

Delete Card

The delete card can be used to delete transponder media from the lock. In Private Mode, all stored transponder media are deleted when the delete card is presented. In Multi User Mode, the delete card can delete the transponder used for closing when the lock is in the closed state.

Automatic Unlocking

The lock unlocks automatically at a defined time. Programming is carried out by BURG.

Automatic Locking (Private Mode)

After opening, the lock locks automatically after 5 seconds. The door is closed by pressing lightly. This function applies to the private mode with automatic locking (mode 2).

Note: If the door is not closed during this time, an alarm sounds for 10 seconds.

Manual Locking

To lock the lock, the user must press the door slightly closed and hold an authorized transponder centrally in front of the lock. This function applies to Multi User Mode (mode 1) and Private Mode with manual locking (mode 3).

Signal Tones

Signal tones sound during the opening or closing process and when unauthorized transponders are presented.

Block Mode (Private Mode)

If an unauthorized transponder is held in front of the lock 5 times, the lock blocks for 60 seconds. During the locking period, the lock rejects all transponders by emitting a signal tone and lighting up the red LED. The locking mode can be cancelled by holding the manager card in front of the lock.

Status Alarm (Private Mode)

If the lock in Private Mode with automatic locking (mode 2) is not closed within 30 seconds after opening, a 10-second alarm will sound. This function can be switched on or off by pressing programming buttons 1 and 2 simultaneously.

Occupied Identification

The lock is in the Multi User Mode described above. However, the transponder used for locking is assigned a occupied identification so that it cannot lock any more locks. The occupied identification is canceled again during the opening process.

Battery Warning

If the battery capacity falls below a certain limit, the blue LED lights up when a transponder is presented and an signal tone sounds 8 times. If the critical range is reached, the lock can no longer be locked or can only be opened with the Master Card.

* Applies to all versions with production date from 02/2022.
Version date is printed on the back of the lock.

Assembly Instructions

- 1 Prepare the installation carefully. Determine the correct position of the lock (inside of door) and locking part (inside of cabinet) and mark them. Refer to the dimensioned product drawings (pages 3. Depending on the material and type of screws, it may be necessary to pre-drill the mounting holes for the lock and the locking part on your furniture.

Note: If several locks are to be installed next to each other, it is necessary to maintain minimum distances of at least 5 cm horizontally and 15 cm vertically. To avoid damage to the lock, make sure that there are no metallic objects within a radius of 20 cm!

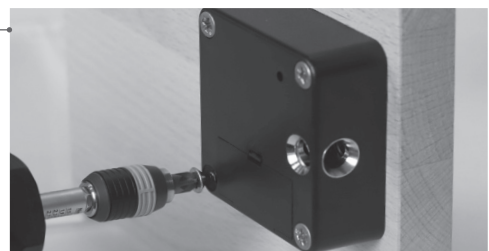
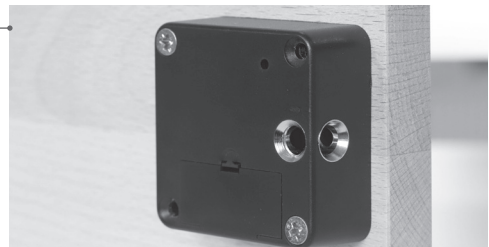
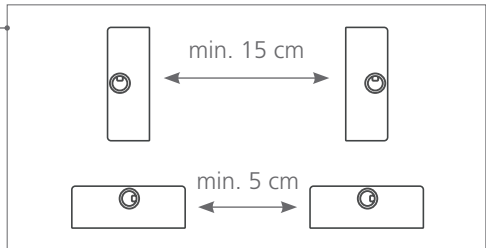
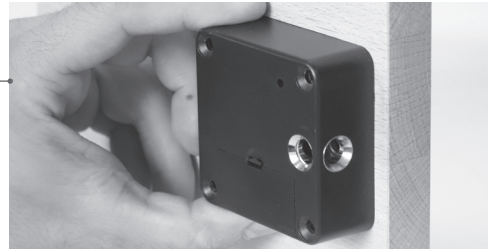
- 2 Position the lock according to your markings. When selecting the screws, note the required screw length. This depends on the door thickness in which the lock is installed. It is recommended to position the first two screws diagonally and then tighten them. The screws may be tightened with max. 1.5 N.

- 3 Then tighten the last two screws with max. 1.5 N.

- 4 Position the locking unit according to your markings. When selecting the screws, note the required screw length. This depends on the door thickness in which the lock is installed. The screws may be tightened with max. 1.5 N.

Important: The strike plate has two spring-loaded metal pins that help the lock to push the front open slightly. Please note here that door hinges with counterpressure can limit the function and prevent opening. Please use only door hinges without counterpressure spring.

Note: The lock is not suitable for installation in steel furniture!



Configuration

1 Change Mode

The lock has three different modes (see functional description). Starting from the default setting (Multi User Mode), the modes are set as follows:

1. Press the programming button **3** for two seconds.
2. Confirmation of the successful process by flashing of the green LED and subsequent signal tones:
 - Two signal tones when changing from mode 1 (default setting) to mode 2.
 - Three signal tones when changing from mode 2 to mode 3.
 - One signal tone when changing from mode 3 to mode 1.

Note: assigned transponders are deleted when the modes are changed.

2 Assign cards and transponders

Function cards and transponder media are set by pressing the corresponding programming buttons.

a) Assign Master Card

1. Press the programming button **4** for two seconds. The green LED starts flashing.
2. While the green LED is flashing, hold the Master Card to be assigned in front of the lock.
3. A beep confirms the successful operation.
4. If required, hold further Master Cards to be assigned in front of the lock one after the other (max. 3).

b) Assign Manager Card

1. Press the programming button **1** for two seconds. The green LED starts flashing.
2. While the green LED is flashing, hold the Manager Card to be assigned in front of the lock.
3. A beep confirms the successful operation.
4. If required, hold further Manager Cards to be assigned in front of the lock one after the other (max. 3).

c) Assign Delete Card (only for mode 2 and 3)

1. Press the programming button **2** for two seconds. The green LED starts flashing.
2. While the green LED is flashing, hold the delete card to be assigned in front of the lock.
3. A beep confirms the successful operation.
4. If required, hold further delete cards to be assigned in front of the lock one after the other (max. 7).

d) Assign Transponders (only for mode 2 and 3)

1. Hold manager card in front of the lock. The green LED starts flashing.
2. While the green LED is flashing, hold the transponder to be assigned centrally in front of the lock.
3. A beep confirms the successful operation.
4. If necessary, hold additional transponders to be assigned one after the other in front of the lock (max. 30).

3 Delete Transponder

To delete the transponders, hold the delete card in front of the lock. All assigned transponders are deleted from the lock.

Operation

1 Multi User Mode

a) Lock

Push the door slightly, hold the transponder and wait until the lock has locked.

b) Unlock

Hold the transponder in front of the lock and wait until the the lock has unlocked.

2 Private Mode

a) Unlock

Hold the transponder in front of the lock and wait until the the lock has unlocked.

b) Lock (mode 2)

The lock closes automatically after 5 seconds. Push the door slightly closed within 30 seconds.

Note: If the door is not closed during this time, an alarm sounds for 10 seconds.

c) Lock (mode 3)

Push the door slightly, hold the transponder and wait until the lock has locked.

Battery Replacement

The battery compartment is located on the front side of the lock and is accessible even when mounted. The battery is changed as follows:

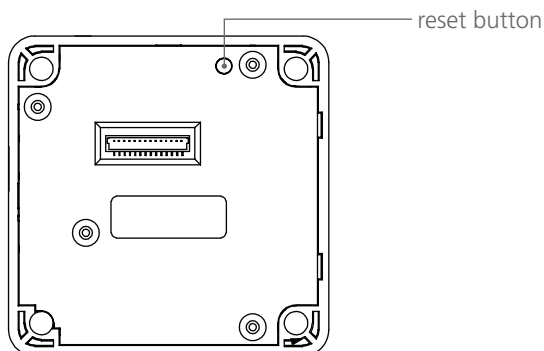
1. Loosen the screw of the battery cover and remove the battery cover.
2. Remove the empty battery and insert the new battery.
3. Close the battery compartment and fix it with the screw.

Important: The battery should be replaced immediately after the first battery warning (p. 4). If the battery capacity reaches the critical range, the lock can no longer be locked and can only be opened by the Master Card.

Reset to Default Settings

To reset the lock to the factory settings, the reset button on the back of the lock must be pressed. All stored settings and all assigned cards will be deleted from the lock.

Important: The reset button is located on the back of the lock and can only be operated when the lock is disassembled.



Disposal and battery note

EU Directive 2012/19/EU regulates the proper take-back, treatment and recycling of used electronic equipment. Every consumer is required by law to dispose of batteries, accumulators or electrical and electronic equipment („waste equipment“) powered by batteries or accumulators separately from household waste, as they contain harmful substances and valuable resources. Disposal can be done at a collection or take-back point approved for this purpose, e.g. a local recycling center. Waste equipment, batteries or rechargeable batteries are accepted there free of charge and recycled in an environmentally friendly and resource-saving manner. Waste equipment, used batteries or rechargeable batteries can also be returned to us. The return must be sufficiently stamped to the address below.

The following symbol on the waste electrical equipment, batteries or accumulators indicates that they must not be disposed of with household waste:



Caution when using batteries!

The battery may explode or release flammable gases if it is mishandled, destroyed, or the wrong type of battery is used. Do not recharge the battery, disassemble it, expose it to extremely high temperatures or throw it into a fire.

On batteries containing harmful substances, you will find indications in the form of abbreviations for the ingredients cadmium (Cd), mercury (Hg) and lead (Pb) in each case.

BURG F. W. Lüling KG

Volmarsteiner Str. 52
58089 Hagen (Germany)
Fon +49(0)23 35. 63 08-0
info@burg.de
www.burg.de

FCC-certification

For the USA FCC ID: 2A8LA-W-EMS-02

This device complies with Part 15 of the FCC Rules. Operation is subject to the following two conditions:

- (1) this device may not cause harmful interference, and
- (2) this device must accept any interference received, including interference that may cause undesired operation.

No changes shall be made to the equipment without the manufacturer's permission as this may void the user's authority to operate the equipment!

For Canada IC: 29104-WEMS02

This device complies with ISED's license-exempt RSSs. Operation is subject to the following two conditions:

- (1) This device may not cause interference; and
- (2) This device must accept any interference, including interference that may cause undesired operation of the device